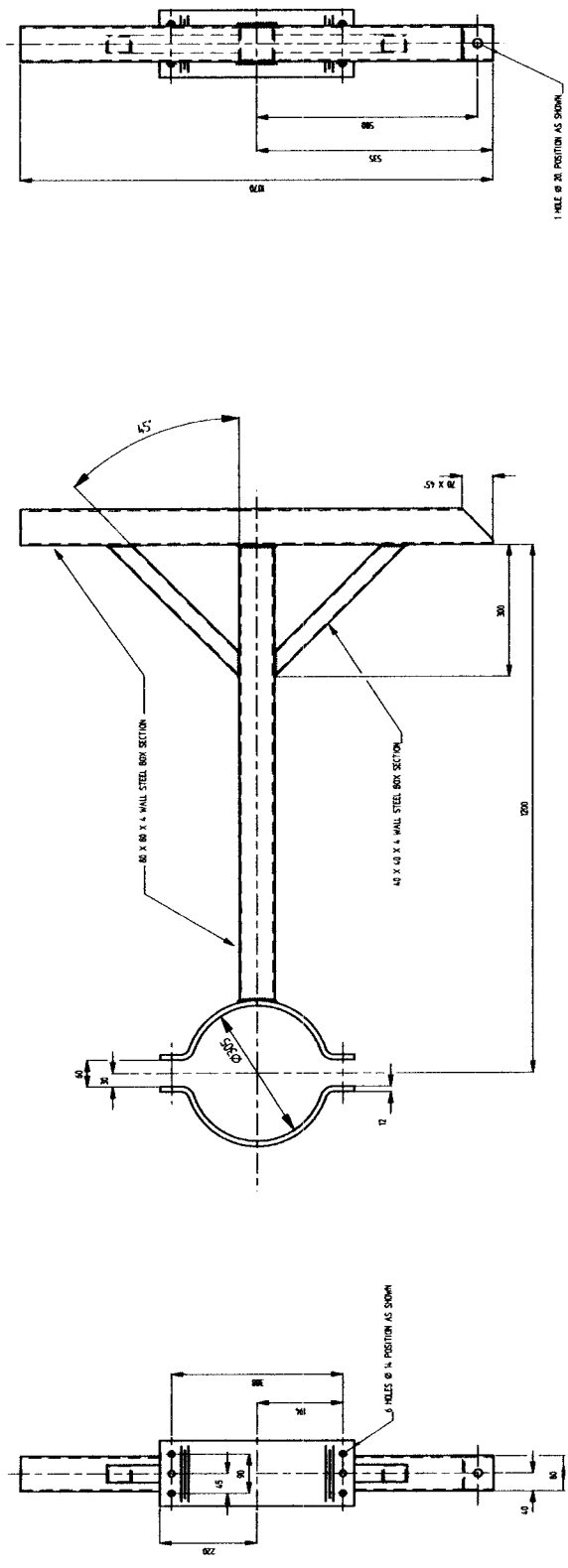


FOR EXPLANATION OF DIMENSIONS, SYMBOLS, NOTES ETC. SEE DRAWING



ITEMS TO BE WELDED ARE SHOWN THIS:

WELDING SYMBOLS:

WASH
 RUBBER PRIMER PAINT ONE COAT
 RUBBER PRIMER PAINT ONE COAT
 CHLORINATED RUBBER TOP COAT

WASH
 RUBBER PRIMER PAINT ONE COAT
 RUBBER PRIMER PAINT ONE COAT
 CHLORINATED RUBBER TOP COAT

PROJECT TITLE	PROJECT NO.	DATE	SCALE
PRODDYAN OCEANOGRAPHIC LABORATORY			1:1
THE PORT STANLEY (FIPASS) - RADAR TIDE GAUGE ARM			1:1
DESIGNED BY	CHECKED BY	DATE	SCALE
			1:1

PRODUCTION PART	PRODUCTION PART
MILD STEEL	SEE NOTE
NO. OF PARTS	TOTAL NO. OF PARTS
1	1
NO. OF SHEETS	SCALE
1	1:1

PRODDYAN OCEANOGRAPHIC LABORATORY
 THE PORT STANLEY (FIPASS) - RADAR TIDE GAUGE ARM
 POL 7 1300/344